

Cabriolet

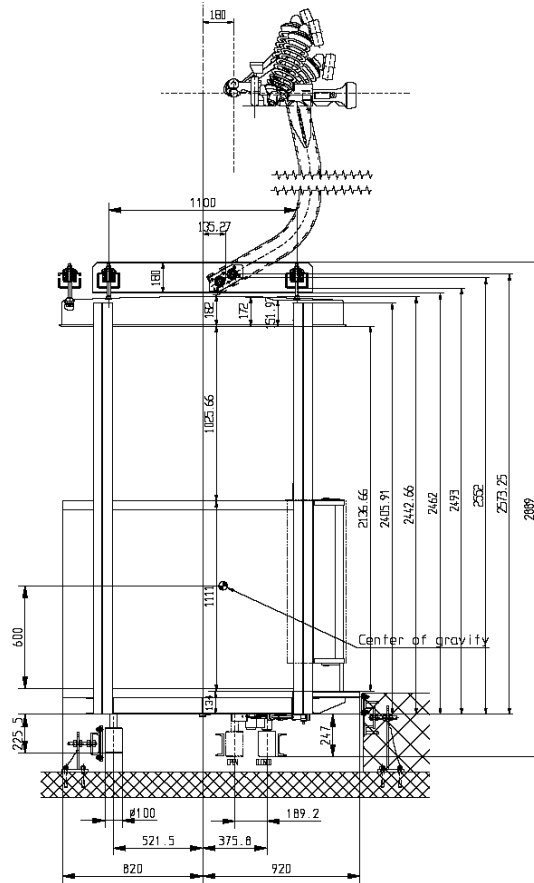
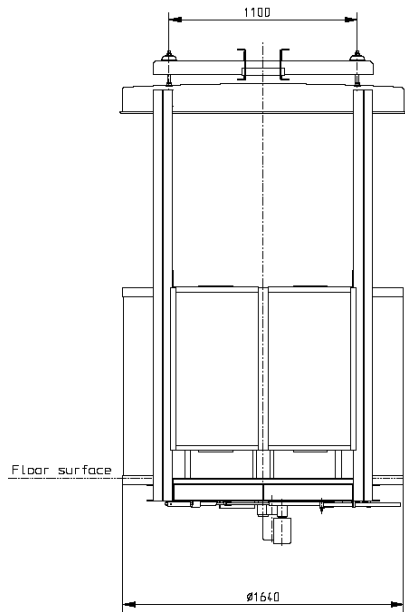
Open-air cabriolet gondolas for circulating lifts are very popular in the United States. They are used with mountain railroads to transport people to and from parking places and ski slopes, among other things.

The ground-level entrances and wide door opening clearances not only meet the requirements of associations for handicapped people, but also enable passengers to get on and off quickly.

GANGLOFF CABINS AG
Pfandersmatt 157
3662 Seftigen, Switzerland
Phone +41 (0)33 226 06 06

cabins@gangloff.com

www.gangloff.com



Special Features

- Simple and practical construction, in part consisting of aluminum profile sections especially designed for this product.
- Automatic door mechanism for mechanically opening and closing the doors as the gondola moves through the station.
- Very easy to maintain thanks to the grillwork floor, which prevents snow from accumulating in the cabin.
- Easy to clean.

Technical Data

Customer	Various ones in the United States
Distance	Various ones in the United States
Capacity	8 passengers

